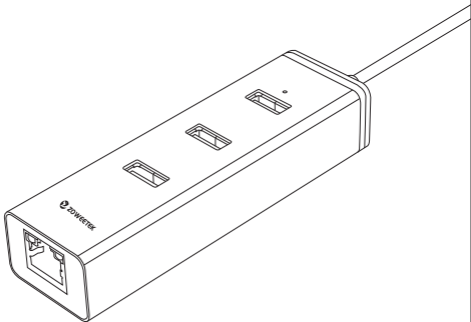




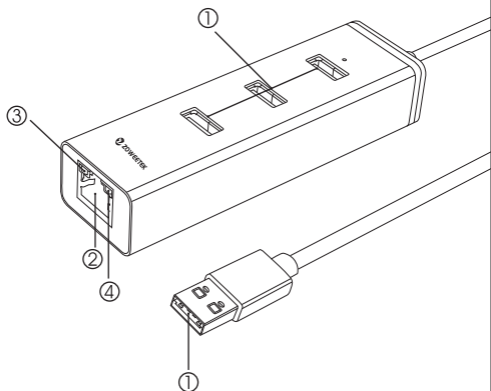
ZOWEETEK

Hub USB 3.0 Gigabit Ethernet
User Manual



Overview

Thanks for your purchase of this Zoweetek® USB ethernet adapter 3-port USB 3.0 hub. It is an unibody 3-Port USB 3.0 and ethernet hub, you can connect to the gigabit ethernet port and access super fast network speed of up to 1000Mbps. With the 3 extra data terminals, you no longer have to constantly switch and unplug everything. This product has been designed specifically for users of ultrabooks, notebook, laptop PC and tablets with USB port. It offers a simple and practical expansion of three USB 3.0 ports and a RJ45 gigabit ethernet connection.



Overview Front

- ① USB 3.0
- ② Gigabit Ethernet
- ③ Yellow light
- ④ Green light

Specifications

- * Output: 5V / 900mA Max
- * Weight: 118g
- * Size: 3.5*1.8*0.7 inches
- * Cable length: 12 inches
- * Interface type: USB3.0 X3, RJ45 X1
- * Transmission speed: 10/100/1000Mbps
- * Material: Aluminum alloy

High Compatibility Network Port

The gigabit ethernet port is compatible with 10/ 100/ 1000 Mbps. When the ethernet speed is less than 100 Mbps, the two LEDs won't light up.

When the ethernet speed is between 100 Mbps and 1000 Mbps, one of the two LEDs will light up.

When the ethernet speed is over 1000Mbps, the two LEDs will light simultaneously.

Features

- * Turn one of your computer's USB ports into three and a ethernet port
- * Built-in surge protection keeps your devices safe
- * Perfect professional and gamin users
- * With REALTEK controller network IC, the RJ45 Gigabit ethernet port can be compitable with 10/100/1000 Mbps
- * With VIA-LAB high-speed controller, the three USB 3.0 port can provide up to 5 Gbps theoretical maximum data transfer speed
- * Plug and play. No any installation required

Package Contents

- * Zoweetek USB hub
- * User manual
- * A smile

System Requirements:

Windows 10/8.1/8/ 7/ Vista(32/64bit), XP, 2003/2000, MAC OS X,
Linux and more

Warranty

At Zoweetek, we believe in our products. That's why we back them all with an 18-month warranty and provide friendly, easy-to-reach support.

Warning

- * Never try to open or repair this product yourself.
- * Keep this device away from fluids, such as water.

Maintenance

- * Do not attempt to disassemble the device, otherwise, it will void the warranty.
- * Switch off the USB ports when not using.

Notices

- * Some USB 3.0 devices (such as Apple Super Drive and some WD hard drives) require direct connection to host ports.
- * 2.4Ghz wireless devices (keyboards, mice, etc.) may not work around USB 3.0 ports. Try using a USB 2.0 connection instead.
- * You can use this ethernet adapter to participate on multiple networks, replace damaged ethernet port, add a physical network connection to wireless-only systems, and replace network cards, but it is not intended for use in connecting USB devices like a printer to a network.

Warranty

In line with the policy of continued development, we reserve the right to amend the specification without prior notice. The illustrations in the user manual are for reference only, please operate according to the real design.