

Specification:

Max output power:	5W	Frequency response:	90Hz-18KHz
Output impedance:	2Ω	Working temperature:	-10℃-45℃
Voltage:	DC 5V, 500mA	Amplify time:	10-12 hours
Music-play time:	8-10 hours	Charging time:	3-5 hours

SHIDU Guarantee:

100% SHIDU Guaranteed Product Satisfaction.

We promise 1 year warranty.

If you have any questions about our product, please feel free to contact with us, we will try our best to provide you the best service.

Voice Amplifier

User Manual

S308

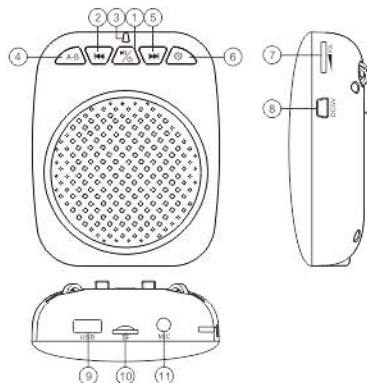
Specification:

1. SHIDU patented appearance;
2. Stylish, ergonomic and comfortable design;
3. Hi-Fi inside magnetic trumpet --- more loud clear and soft sound;
4. Imported ABS material with high light technology, durable and wear-resistant;
5. Ultra-light (only 138g) --- portable to use;
6. Support TF card or USB flash drive --- can directly play Mp3 format audio;
7. Professional sound amplifying circuit --- clear without howling;
8. Loop-play back function, keep playing your favorite song;
9. Play the sounds repeatedly from point A to B;

How to use:

1. Take out the amplifier, fasten the waist-belt to metal hooks on both sides, then tie at the waist or hung on your shoulder (the belt is adjustable). You can also use the back splint to cinch the main engine on the waistband or trousers;
2. Wear the microphone and adjust the position, stay 1-2cm away from your mouth, and then insert the MIC.

NOTE: This device is a high power voice amplifier. In a small range when using the microphone, please firstly turn down the volume to the minimum. Please do not place the microphone nearby the amplifier. Keep the distance between microphone and amplifier more than 60CM to avoid howling phenomenon.

Structure Instruction:

1. Power/Play/Pause;
2. Previous;
3. Indicator light;
4. Repeat key;
5. Next;
6. Loop play key;

7. Volume;
8. DC 5V charging;
9. USB interface;
10. TF card slot;
11. Microphone.

Operation mode:

1. Amplification: Start the device and plug the microphone into the related connector, then the system will auto-turn to the amplification condition by default.

NOTES:

1. Under amplification condition, press "pause" switch to stop all the other functions;
2. Please keep a distance between the microphone and the amplifier to avoid howling;
3. Adjust the volume knob slowly to the middle part of the knob, then start recording
2. **TF card / USB flash disk playing:** Insert the TF card or USB flash disk, then start the device and play the audio files;
3. **Previous / Next:** Under the USB flash disk & TF card condition, short press to choose the previous / next song;
4. **Loop:** In the USB flash disk or TF card mode, short press the "loop" key to switch to single loop mode, the blue indicator light will flash quickly. Short press again to switch back to normal play mode, the blue indicator will flash normally;
5. **Charging:** Please use DC 5V power charger, the other end connects with the power supply AC 110~220V. The red LED light will flash when charging, and auto-off when fully charged. (Note: We suggest fully recharge the amplifier before you using it at the first time.)
6. **Repeat function:** When playing the music or educational audios in the TF card, please press the "A-B" switch to record the content and then the blue indicator light will stop flashing. When the content you need to record is finished, please press the "A-B" switch again and the blue indicator light will flash quickly, which means the device is in the recording mode. If you want to cancel the repeat, please press the "A-B" switch again and enter into the TF card playing or amplifying mode.