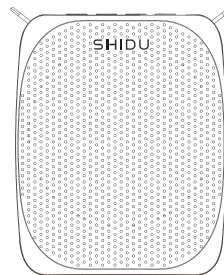


Natural Voice

Voice Amplifier User Manual



SD-S258

Caution and trouble shooting:

- 1) Aim at the MIC capsule when speaking and keep the distance between voice amplifier and MIC longer than 60cm avoid howling.
- 2) Don't insert or plug the connector frequently to avoid the looseness of socket or the bad connect.
- 3) Recharge timely when battery power is low.
- 4) Original accessories are suggested if they need to be replaced.
- 5) Non-professional technician is not allowed to dismantle or repair the product; please contact the local agent if there is any question or service requirement.
- 6) The amplifier should be kept in dry and ventilated area, rain, water, thump should be avoided.
- 7) Please keep the product and accessories far away from children.

SHIDU Guarantee:

100% SHIDU Guaranteed Product Satisfaction.

We promise 1 year warranty.

If you have any questions about our product, please feel free to contact with us, we will try our best to provide you the best service.

SHIDU S258 Portable PA System with Headset. S258 is a highly integrated system with many features. It is a public address system that amplifies your voice with HD sound quality. You can use a wired microphone to talk into it. It is a Music Player. You can play music from a TF card or USB flash disk. Please read the instructions carefully before using it.

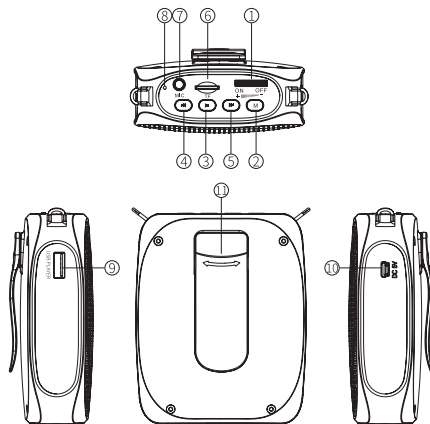
Features:

1. SHIDU patented appearance;
2. Stylish, ergonomic and comfortable design;
3. Power double magnetic trumpet --- more clear and penetrating;
4. 10W power output, sound coverage up to 800m²;
5. Adopt SHIDU Acoustic amplification electroacoustic system;
6. Equipped with SHIDU special acoustic microphone --- Hi Fi original sound amplification;
7. Super MP3 audio encoding technology --- support TF card & U flash disk.

Specification:

Output power:	10W	Frequency response:	90Hz-18KHz
Output Impedance:	4Ω	Work temperature:	-10°C - 45°C
Charging voltage:	DC 5V 500mA+	Amplify time:(50%volume)	8-12 hours
Music-play time:	6-10 hours	Charging time:	3-5 hours

Function Illustration:



1. **Power switch & volume control:** Rotate the knob to "ON" to turn on the amplifier and the blue indicator light will on. Rotate to "+" continuously to increase the volume, rotate to "-" continuously to decrease the volume till turn off.
2. **Mode:Short Press:** You can short press this mode button to select a working mode (USB or TF). When TF card and USB flash drive are both inserted, use the "M" Key to select which storage you want to play.

3. **Play/Pause:** Short press it to pause, and press again to play the music under default mode. Long press "⏮" till the blue light blinks quickly to enter single music repeat mode. Long press the "⏮" till the blue light blinks normally to repeat all the music in storage.
4. **Previous:** Short press it to go to previous music; long press it to fast backward.
5. **Next:** Short press it to go to next music; long press it to fast forward.
6. **TF card:** Insert the TF card to play mp3. It is compatible with most brands, the max capacity is 32GB.
Note: It may be unreadable when the file is large or complex.
7. **Ø3.5mm Microphone Jack:** Insert the wired microphone in any mode to amplify with current mode simultaneously. To avoid howling please do not point the microphone toward the speaker.
8. **Indicator:**
Blue light: Will on all the time in the state of power-on;
Red light: Will blinks when charging; and it will on all the time after fully charged.
Notes: We suggest that you fully charge the amplifier before using it the first time.
9. **USB:** Insert the USB to play mp3. It is compatible with most brands, the max capacity is 32GB.
10. **Mini-USB Port (DC 5V):** Use the charger with DC 5V output connect with Mini-USB cable to charge the PA system.
Note: Please connect the packed USB charging cable with the USB port of DC 5V (500mA ~ 1.5A) charger. Unplug the charger as soon as it is fully charged.
11. **Detachable clip**